



Capacitor bank KBK-05/2

for rated voltage 500V



Capacitor bank type KBK-05/2 is an electrical device designed to use in underground mining in explosion-free localisations as well as on the ground.

Capacitor bank type KBK-05/2 is used for reactive power compensation for group receivers in a 3-phase mine grid with insulated transformer star point (IT system) for the rated supply voltage of 500V.

Capacitor bank type KBK-05/2 is equipped with power protection against short-circuits and overloads.

TECHNICAL DATA:

ingress protection	IP54
rated insulation voltage of main circuits	660 V
rated power supply voltage	500V, 50Hz
rated current	185 A
rated power	160 kvar
rated power of the lowest regulation degree	20 kvar
dimensions	1500 x 900 x 370mm (height x width x depth)
weight	80 kg

CONSTRUCTION

The capacitor bank consists of a housing mounted on a frame with handles allowing to mount hooks and chains used for suspending it or mounting it on another metal construction (welding).

MODE OF OPERATION

Reactive power controller Q receives measurement signal from current measuring transformer P installed on 500 V bushbars of the capacitor bank (it is possible to connect signal from another measuring transformer e.g. the one installed in a transformer station and powering the capacitor bank from one of station outlets, then the capacitor bank is used for growth a programmed delay and switching on the first degree capacitor compensating the reactive power of receivers powered from this station). If the proportion of component reactive current exceeds the value preset on the controller, it will generate a control signal causing the closure of the first control contact and switching on the first stage condenser contactor.

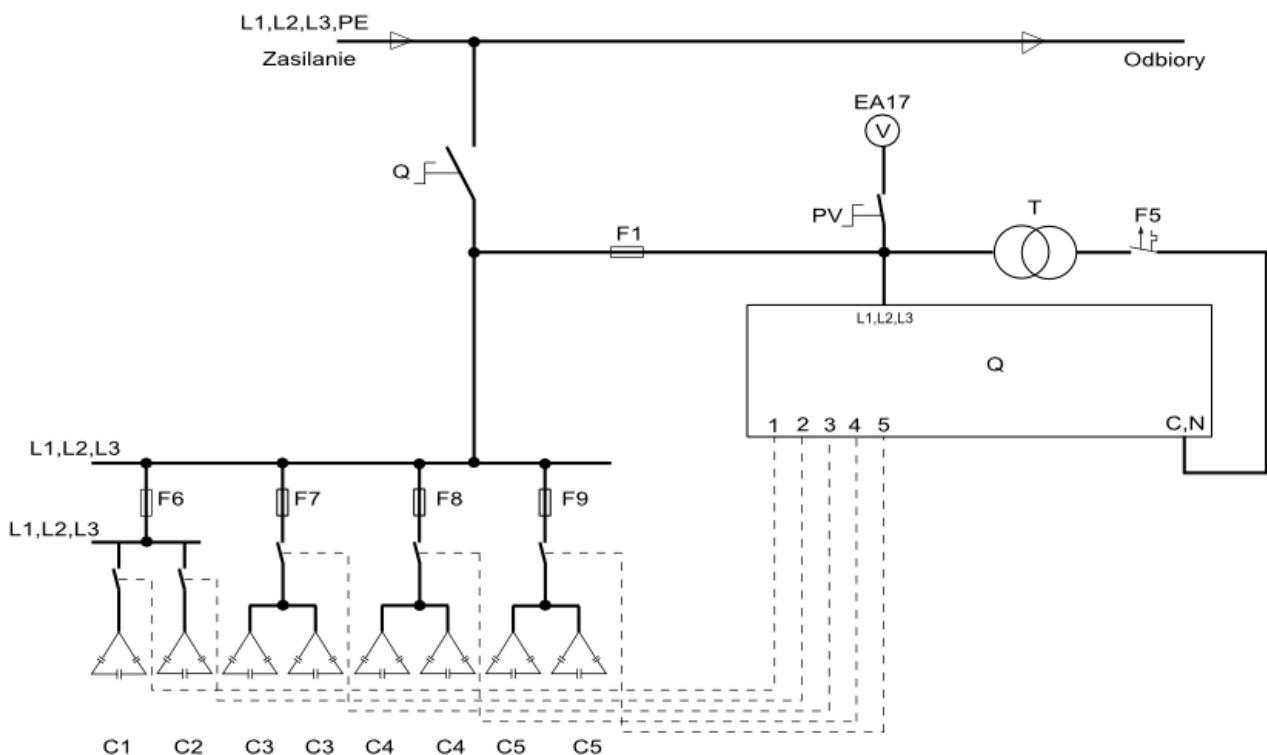
When switched on condenser stage is not sufficient to maintain the preset power factor at a desired level, more control contacts are closed (in the programmed control order), which in turn switches on the contactors of further capacitor stages. If the component load of reactive current decreases, it will disconnect the capacitor stages.

SCHEMATIC DIAGRAM

Legend:

Zasilanie – power supply

Odbiory - receivers



Orders should be submitted in writing or by fax to the address:

 **Instal-Service PL**

Spółka z ograniczoną odpowiedzialnością
Spółka komandytowa

58-506 Jelenia Góra, ul. Wrocławska 15a
tel. (+48 075) 64-57-950
fax. (+48 075) 64-57-951
e-mail: instal@instal-service.pl